



44 Bearfoot Rd, Suite 100
Northborough MA, 01532
Phone: 508 456 7080

sales@newenglandbrakemetal.com
www.newenglandbrakemetal.com

DRAWING

NB - 36

PROJECT DETAILS

JOB NAME: _____
CUSTOMER: _____
DATE: _____ PHONE: _____
E-MAIL: _____

MATERIAL:

- | | |
|---|---|
| <input type="checkbox"/> 032 ALUMINUM | <input type="checkbox"/> 14 GA GALVANIZED |
| <input type="checkbox"/> 040 ALUMINUM | <input type="checkbox"/> 16 GA GALVANIZED |
| <input type="checkbox"/> 050 ALUMINUM | <input type="checkbox"/> 18 GA GALVANIZED |
| <input type="checkbox"/> 063 ALUMINUM | <input type="checkbox"/> 20 GA GALVANIZED |
| <input type="checkbox"/> 20 GA S. STEEL | <input type="checkbox"/> 22 GA GALVALUME |
| <input type="checkbox"/> 22 GA S. STEEL | <input type="checkbox"/> 24 GA GALVALUME |

COLOR

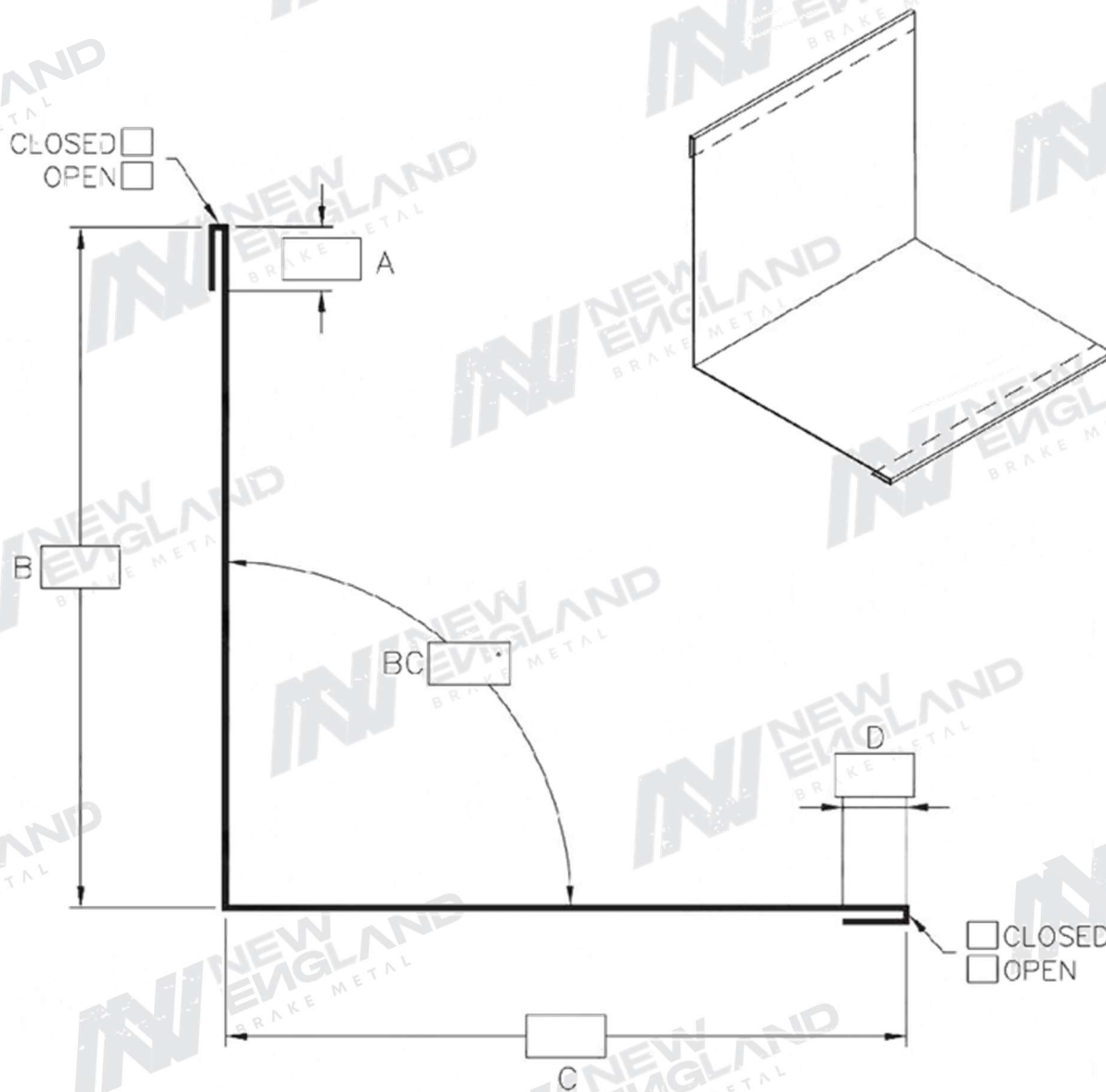
FINISH

- KYNAR
 MILL FINISH

QUANTITY

NOTES:

CLOSED
 OPEN



CLOSED
 OPEN